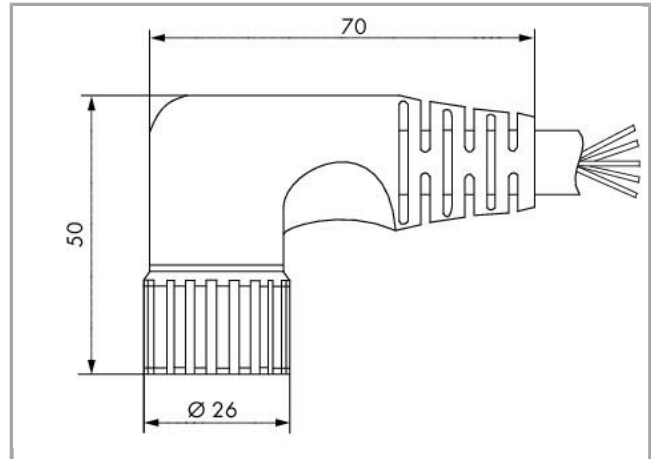


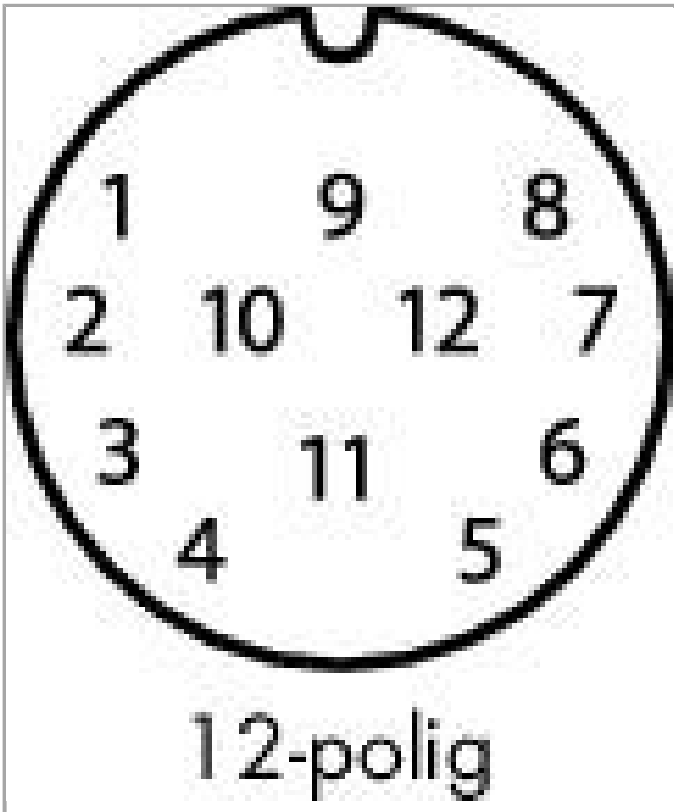
Data sheet | Item number: 756-3202/120-150

Connecting cable; angled; 12-pole; 15 m; fitted on one end (with free end);  
M23 socket, straight



756-3202/120-150





Pin 9, 11, 12: 1.00 mm<sup>2</sup>;  
Pin 1 - 8: 0.34 mm<sup>2</sup>

|          |                    |
|----------|--------------------|
| 1 white  | 9 blue             |
| 2 green  | 10 commoned with 9 |
| 3 yellow | 11 brown           |
| 4 gray   | 12 green/yellow    |
| 5 pink   |                    |
| 6 red    |                    |
| 7 black  |                    |
| 8 violet |                    |

## Data

### Technical Data

|   |                       |
|---|-----------------------|
| Connection type                             | M23 socket - free end |
| No. of poles                                | 12                    |
| Leitungsanschlussrichtung zur Steckrichtung | 90°                   |
| Cable length                                | 15 m                  |
| Operating voltage                           | ≤300 V                |
| Operating current                           | 8 A                   |
| Rated surge voltage                         | ≥2,0 kV eff.          |

### Mechanical data

|                               |              |
|-------------------------------|--------------|
| Bending cycles                | 2 Mio.       |
| Schleppkettentauglichkeit     | yes          |
| Durchmesser der Mantelleitung | 9 ... 9.6 mm |
| Weight                        | 1589 g       |

### Environmental Requirements

|                                      |                |
|--------------------------------------|----------------|
| Umgebungstemperatur (Betrieb) bewegt | -25 ... +80 °C |
| Umgebungstemperatur (Betrieb) ruhend | -40 ... +80 °C |
| Protection class                     | IP67           |



### Commercial data

|                    |                                  |
|--------------------|----------------------------------|
| Product Group      | 23 (I/O passive and accessories) |
| Country of origin  | DE                               |
| GTIN               | 4044918569026                    |
| Customs Tariff No. | 85444290900                      |

### Downloads

#### Documentation

#### System Description

|   |          |          |
|---|----------|----------|
| Sensor/Actuator Boxes – General Product Information | pdf      | Download |
|   | 537.3 kB |          |

Subject to changes.